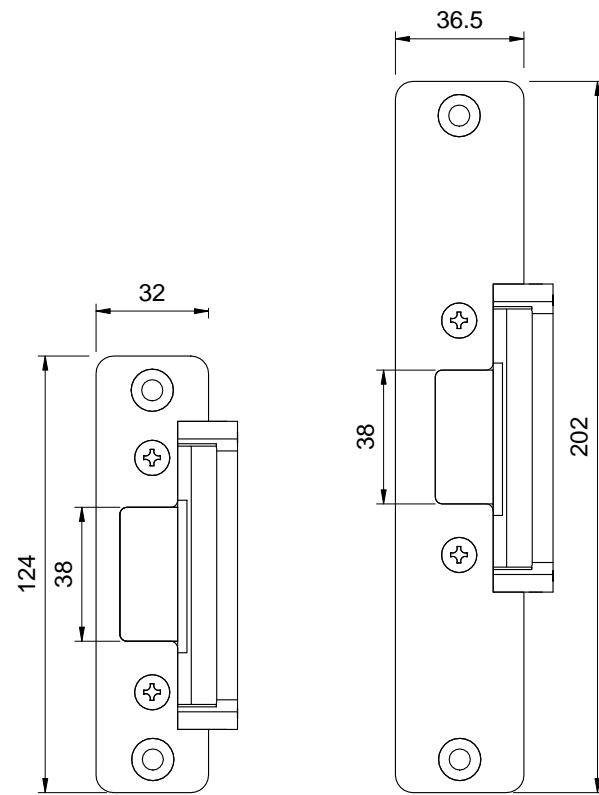
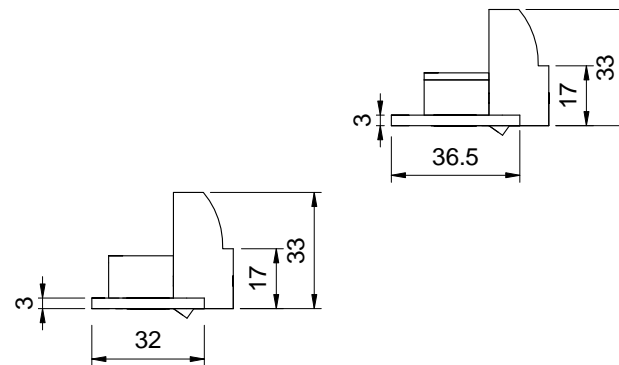


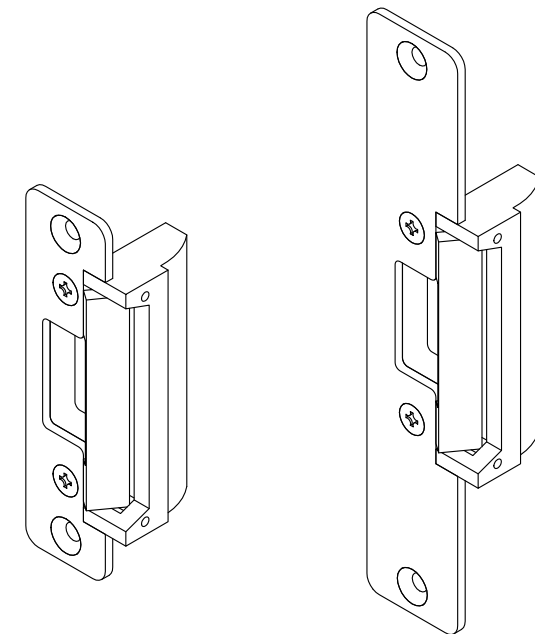
02 Side View
1 : 2



03 Front View
1 : 2




04 Top View
1 : 2



01 3D View

Electric Strike Site Selectable Fail Lock		
Item	Description	Finish Option
KES-GK311/1224	KCC ANSI Electric Strike Site Selectable Fail Lock / Fail Open. Supplied with Long & Short Faceplates	Stainless Steel

Rev	Date	Description	Initial
Title : KES-GK311/1224			
Contract : KCC Architectural			
Scales are as shown, original drawing size A3			
		Creator : IN	
		Checked by : SQ	
		Scale : N.T.S	
		First issue : 06-12-2019	
		Project No :	
DRG No :		Rev	